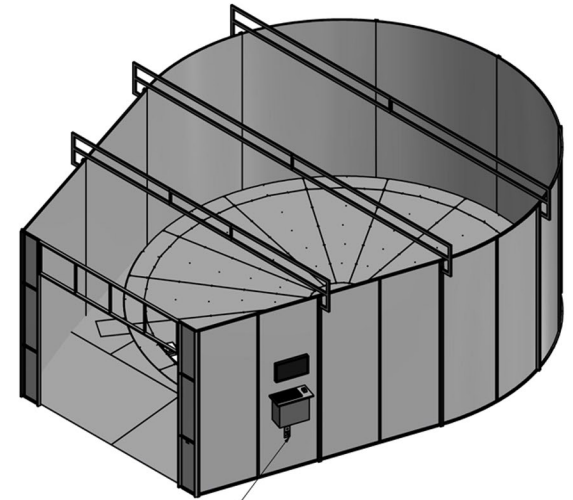


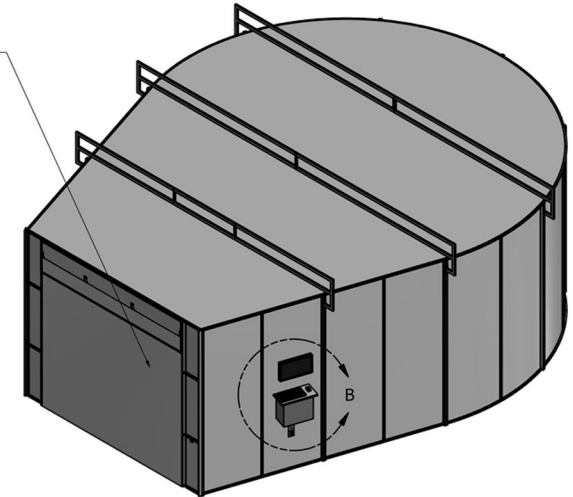
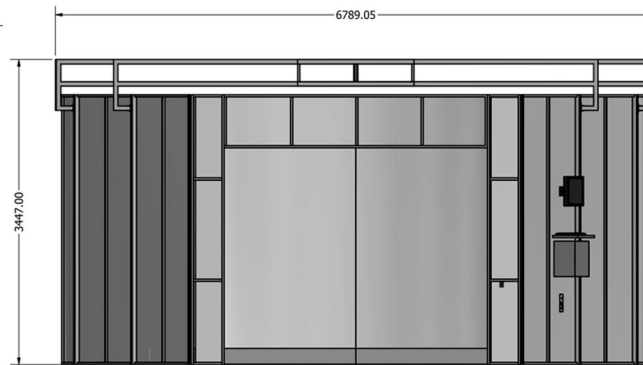
DETAIL B
SCALE 1 / 20

Booth Operators position, this ensures the operator is not visible in the images of the vehicle.



230v 13amp Feed required.
Internet Connectivity Required.

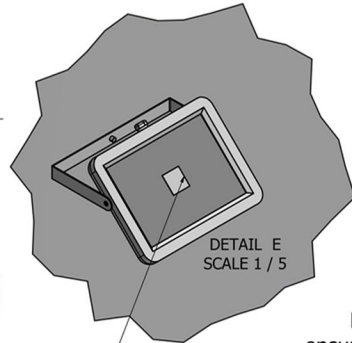
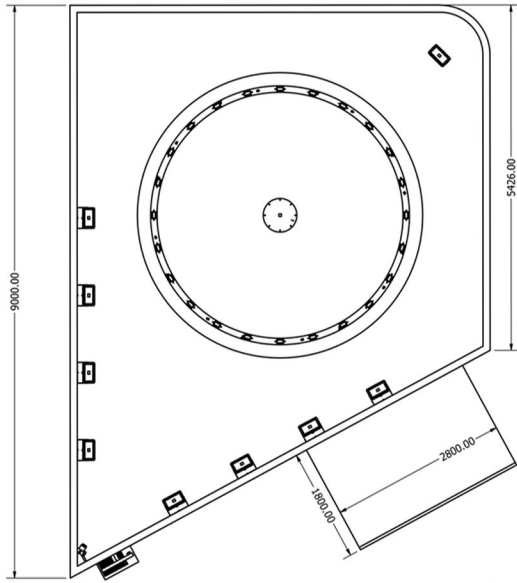
Whiteout blind on the internal of the booth to remove reflections and keep light levels consistent.



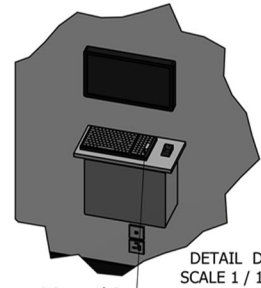
Power will not be required at the turntable.
230v Powersupply **WILL** be required at the location of the control panel.
The 230v supply **MUST** be on its own 16amp MCB (with no RCD)



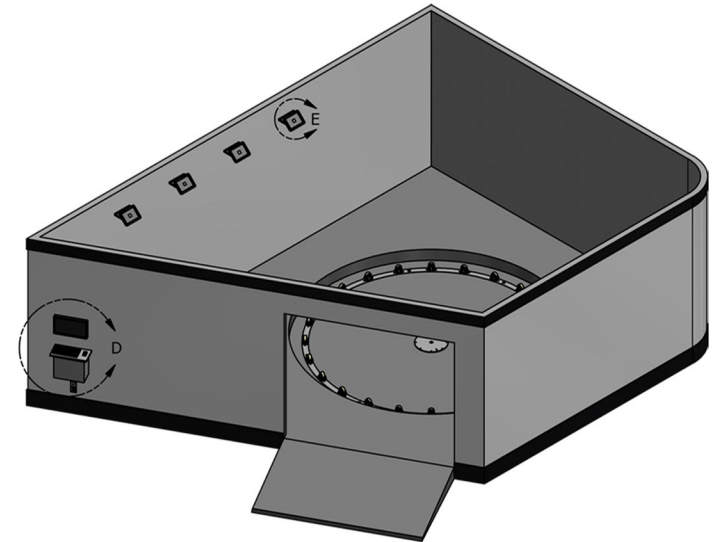
UKT360
GROUP



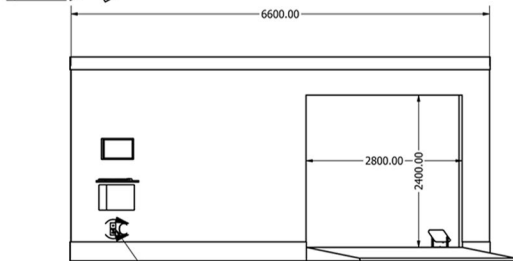
LED Lights on a pivot allowing lighting to be set to either a diffused (satin) or a direct (glossy) finish.



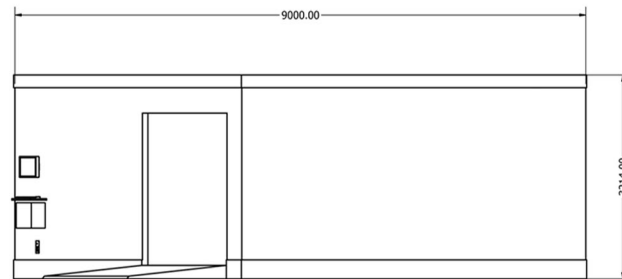
Booth Operators position, this ensures the operator is not visible in the images of the vehicle.



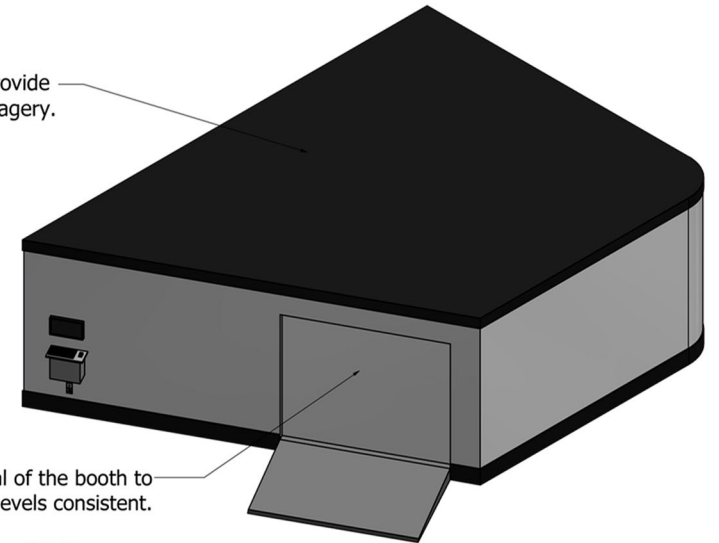
Silver and black diffuser to provide consistent lighting for imagery.



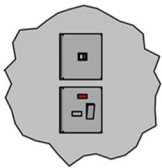
230v 13amp Feed required.
Internet Connectivity Required.



Power will not be required at the turntable.
230v Powersupply **WILL** be required at the location of the control panel.
The 230v supply **MUST** be on its own 16amp MCB (with no RCD)



Whiteout blind on the internal of the booth to remove reflections and keep light levels consistent.



DETAIL C
SCALE 1/5



UKT360
GROUP